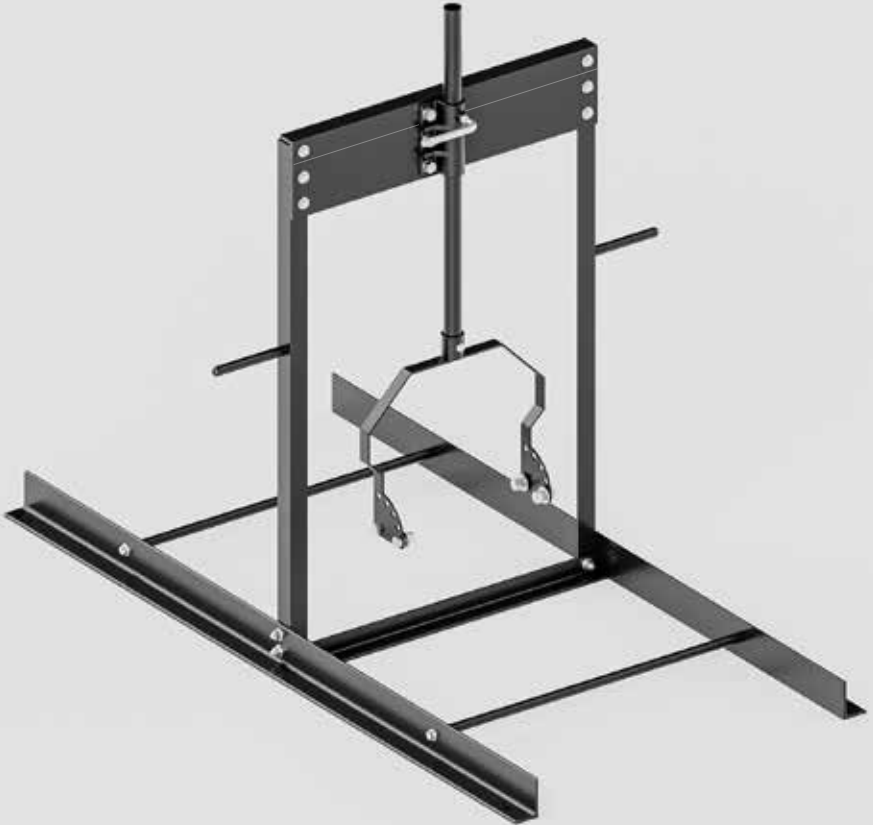


# AIRMAX<sup>®</sup>

## Shallow Water Stand | Assembly Instructions



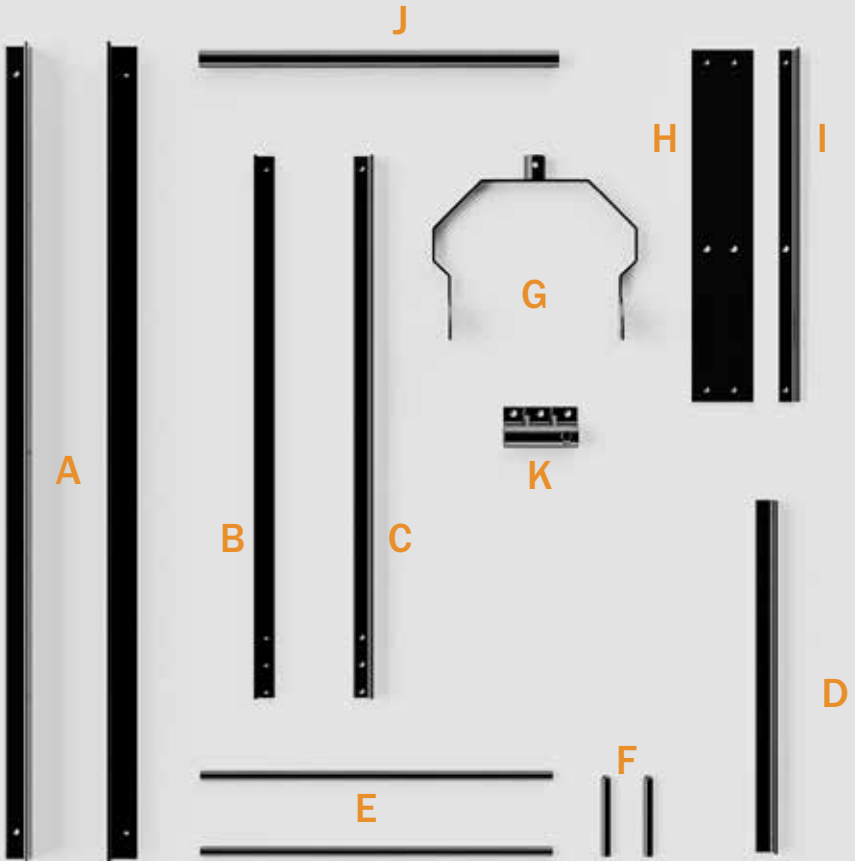
# Parts

## STAND PIECES:

QTY	DESCRIPTION
A 2	Foot (angle): 2" × 3" × 60"
B 1	Left Vertical Bar (angle): 1½" × 1½" × 40"
C 1	Right Vertical Bar (angle): 1½" × 1½" × 40"
D 1	Bottom Horizontal Bar (angle): 1½" × 1½" × 26"
E 2	Support Bar: 0.75" diameter; 26"
F 2	Handle
G 1	Bail
H 1	Plate
I 1	90 degree Bracket
J 1	Pipe: 1" diameter; 26½"
K 1	Pipe Holder

## HARDWARE:

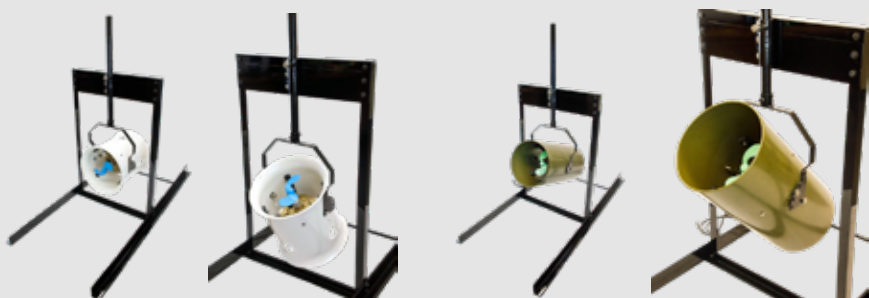
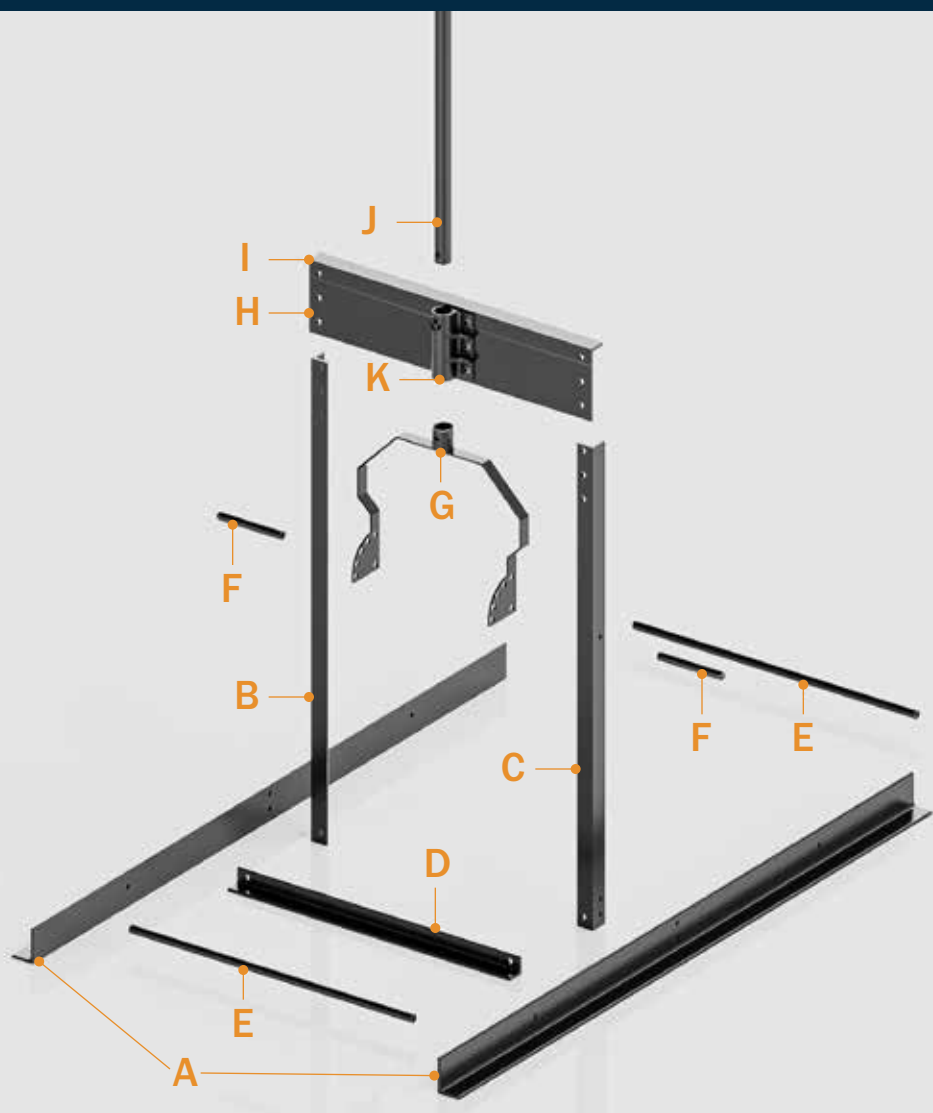
QTY	DESCRIPTION
7	½-13 × 1¼" Bolt
1	¾-16 × 2¼" Bolt
18	¾-16 × 1" Bolt
14	¾" Nut
30	¾" Flat Washer
16	¾" Lockwashers
7	½" Flat Washer
7	½" Lock Washer
7	½-13 Hex Nut
1	½-13 × 4¾" L Bolt



\*drawings not to scale

\*(2) 9/16 wrenches for assembly (not included)

# Frame



## Step 1:

Attach the Bottom Horizontal Bar (D) to the Left Vertical Bar (B) and Right Vertical Bar (C) with  $\frac{3}{8}$ -16 x 1" bolts, washers & nuts.



## Step 2:

Attach Foot (A) with  $\frac{3}{8}$ -16 x 1" bolts, washers & nuts.



## Step 3:

Attach Foot (A) with  $\frac{3}{8}$ -16 x 1" bolts, washers & nuts.

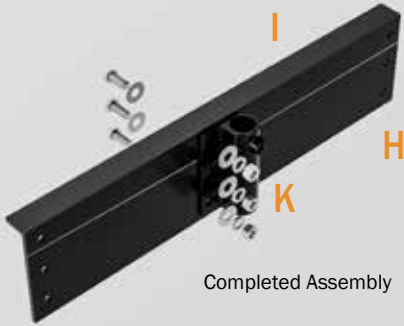


## Step 4:

Attach Support Bar (E) to the Left and Right Feet with  $\frac{3}{8}$ -16 x 1" bolts & washers.



## Step 5:



### Horizontal Assembly Directions:

QTY	Description
3	$\frac{1}{2}$ -13 x $\frac{1}{4}$ " Bolts
6	$\frac{1}{2}$ " Washers
3	$\frac{1}{2}$ " Lockwasher
3	$\frac{1}{2}$ " Nut
1	Pipe Holder
1	Plate
1	90 Degree Bracket

## Step 6:

Attach Horizontal Assembly to the Left Vertical Bar (B) and Right Vertical Bar (C) with  $\frac{3}{8}$ -16 x 1" bolts, washers & nuts.



## Step 7:

Attach Handles (F) to the Left and Right Vertical Bars with  $\frac{3}{8}$ -16 x 1" bolts & washers.



## Step 8:

Slide Pipe (J) into Horizontal Assembly and secure with the L Bolt.



## Step 9:

**A)** Slide Bail (G) onto pipe (J), aligning the holes.

**B)** Attach Bail (G) into pipe (J), with a  $\frac{3}{8}$ -16 x 2  $\frac{1}{4}$ " bolt and nut.



# Step 10:

## Shroud Application Hardware

- 3/8-16 x 1" Bolts (4)
- 3/8" Washers (8)
- 3/8" Lockwasher (4)
- 3/8" Nut (4)

Shallow water stand positioning guide provides 5 different angles for your Ice Eater or Weeds Away:



Loosen the nuts and bolts on the bail, then adjust the shroud to the desired angle. Re-tighten the bolts with washers and lock washers.



## Power House Dock Mount Systems Also Available:

**75000** - Large Dock Mount (fits P750, P1000, W750 & W1000 models)

**75001** - Small Dock Mount (fits P 500)

**WARNING:** This product contains lead, a chemical known to the State of California to cause cancer and birth defects or other reproductive harm.